

Data sheet

Art.No.: 92.944.3053.1

connector GST18I4S S1 ZR1 SW

geis® CLASSIC connector, number of poles 4, male, connection type screw connection, rated voltage 250 V / 400 V, rated current 20 A, cable diameter 6.8 - 11.5 mm, color of coding/ contact carrier black



Art.No.	92.944.3053.1
EAN	4015573785625
Order Unit	1

certificates / approvals



Technical data

general

rated current	20 A
rated voltage	250 V / 400 V
rated impulse voltage	4 kV
strain relief	yes
pollution degree	2
mechanical coding	code 1
lockable	self-locking (unlocking by tool)
color of coding/ contact carrier	black
marking of poles	2, N, PE, 1
color of housing inclusive strain relief	black
RAL-Nummer Codierung/Kontakteinsatz	9005

connection data

cable diameter max.	11.5 mm
cable diameter min.	6.8 mm
connection cross section solid mm ² max.	2.5 mm ²
connection cross section solid mm ² min.	0.75 mm ²
connection cross section fine stranded mm ² max.	2.5 mm ²
connection cross section fine stranded mm ² min.	0.75 mm ²
terminations per pole	2
sheath strip length	38.5 mm
wire strip length	7 mm

model

model	male
connection type	screw connection
degree of protection (IP)	IP40

material

housing material	polyamide
halogen free	yes
contact material	CuZn
fire load	0.122 kWh/St
insulation components continuous temperature	100 °C
surface finish	tin-plated

dimensions

length	69.4 mm
width	38 mm
height	15 mm

classification

ECLASS 11	
ECLASS 8.1	27440605
ETIM 9.0	EC002560
ETIM 8.0	EC002560
ETIM 7.0	EC002560
ETIM 6.0	EC002560
ETIM 5.0	EC002560
ETIM 4.0	EC002560

product compliance

ROHS conformity status	compliant/exempted
ROHS exceptions	III-6(c)
REACH-SVHC conformity status	Duty-To-Declare
REACH-SVHC substances	Lead
REACH-SVHC CAS numbers	7439-92-1

Accessories

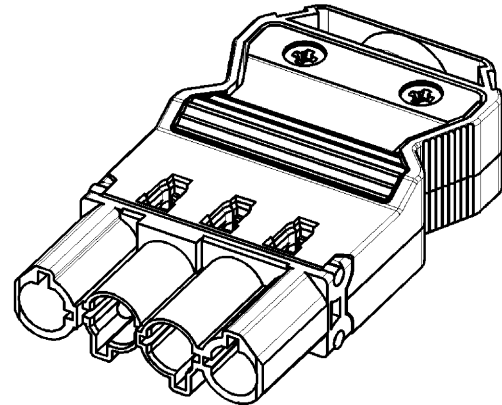
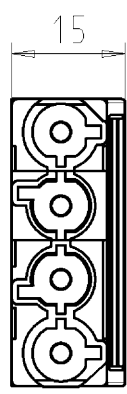
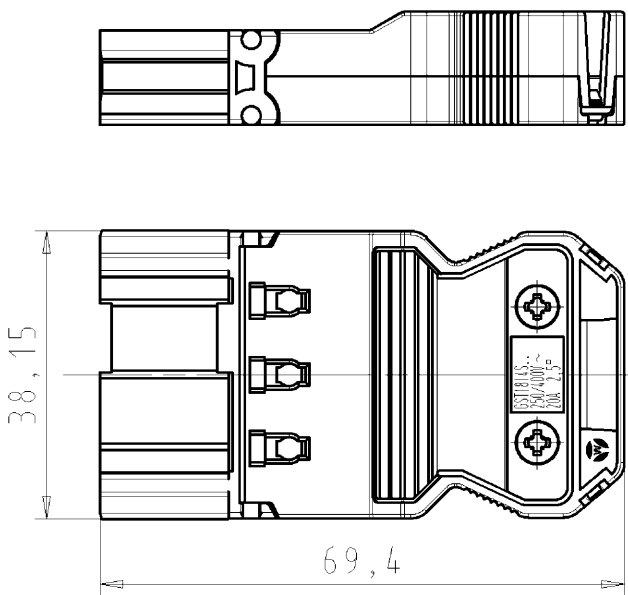
Art.No.:	Article/type description:	Description:
05.587.3156.0	lock (G)ST18 WS	Locking device for cable to cable connection GST18i3-5, white
05.564.5353.0	cover cap GST18i3/4/5 SW	Cover piece 12 pole black for female parts GST18i3-6
05.564.5353.2	cover cap GST18i3/4/5 WS	Cover piece 12 pole white for female parts GST18i3-6
05.566.9153.0	cover cap GST18i4 BUCHSEN	Cover for female connectors GST18i4, black
05.587.3156.1	lock (G)ST18 SW	Locking device for cable to cable connection GST18i3-5, black

Fits with

Art.No.:	Article/type description:	Description:
92.943.3053.1	connector GST18i4S B1 ZR1 SW	gesis® CLASSIC connector, number of poles 4, female, connection type screw connection, rated voltage 250 V / 400 V, rated current 20 A, cable diameter 6.8 - 11.5 mm, color of coding/ contact carrier black

92.043.0058.1	device connector GST18I4L B1H SW	geis® CLASSIC device connector, solder connector, horizontal, without fastening flange, number of poles 4, model female, connection type soldering connection, rated voltage 250 V / 400 V, rated current 20 A, color of coding/ contact carrier black
92.207.1000.1	cable assembly GST18I4KSBS 15 10SW	geis® CLASSIC connecting cable, female - male, number of poles 4, rated voltage 250 V / 400 V, rated current 16 A, cable type H05VV-F, fire class Eca, total length 1 m, nominal cross section conductor 1.5 mm ² , color of coding/ contact carrier black
92.207.1003.1	cable assembly GST18I4KSB- 15 10SW	geis® CLASSIC connection cable, female - free end, number of poles 4, rated voltage 250 V / 400 V, rated current 16 A, cable type H05VV-F, fire class Eca, total length 1 m, nominal cross section conductor 1.5 mm ² , color of coding/ contact carrier black
92.207.1004.1	cable assembly GST18I4KS-S 15 10SW	geis® CLASSIC connection cable, male - free end, number of poles 4, rated voltage 250 V / 400 V, rated current 16 A, cable type H05VV-F, fire class Eca, total length 1 m, nominal cross section conductor 1.5 mm ² , color of coding/ contact carrier black

These dimensions will be especially checked at delivery
 Only inspection dimensions
 With /E marked dimensions are only valid for internal use



Weitere Daten siehe Katalog
 further data see catalog

Diese Maße werden bei Abnahme besonders geprüft
 Ausschließlich Prüfmaße
 Mit /E gekennzeichnete Maße sind nur für interne Zwecke gültig

Teile-Nr. part number	Farbe colour	Typ type	Kabel- ϕ cable- ϕ
92.944.3053.0	weiß/white	GST1814S S1 ZR1 WS	6,5-12,0
92.944.3053.1	schwarz/black	GST1814S S1 ZR1 SW	6,5-12,0

Tolerierung Size ISO 14405 (E)/Tolerance system Size ISO 14405 (E).
 (This ISO-standard describes the envelope principle. According to the envelope principle the deviations of form and parallelism are limited by the size tolerances).
 ja/yes Stoffverbots- und Deklarationsliste nach UU-TQM-05/03 ist einzuhalten.
 Conformity with Wieland document UU-TQM-05/03 (list of prohibited / declarable hazardous substances) to be declared!

Freitoleranz nach DIN ISO 2768 - m CAD - Zeichnung, keine manuellen Änderungen I.Verwendung: - Blatt: 1 von 1
 General tolerance CAD - drawing, no manual modifications allowed First Use: Sheet: 1 of 1

Werkstoff/Material	2005	Tag/Date	Name	Zeichnung Nr./Drawing No.	Index
	gezeichnet drawn	10.10.	Schmitt J.	T 92.944.3053.0 01K a	a
	geprüft checked	-	-		
	Normgepr. Stand., check	-	-		
	Maße in mm/Dimensions are in mm				
Vol. mm ³ Oil./Surf. mm ²	Ersatz für/Replacement for: -				

wieland Elektrische Verbindungen

Benennung/Tittle **male connector with strain-relief**
STECKERTE IL_M_ZUGENTLASTUNG
 Schrb.-Anschl./screw connction, unmont./unassambled
 250/400V AC, 20A, 2,5qmm

Index Datum / Blatt Date / Sheet
 a 19.10.2012/

Änderung/Revision

Weitergabe sowie Vervielfältigung dieses Dokuments, Verwertung und Mitteilung seines Inhalts sind verboten, soweit nicht ausdrücklich gestattet. Die Reproduktion, Distribution und Utilization of this document as well as the communication of its contents to others without express authorization is prohibited.

929443053001K_2 CADW20.35 treshan 2012-10-24T09:04:37 1.000